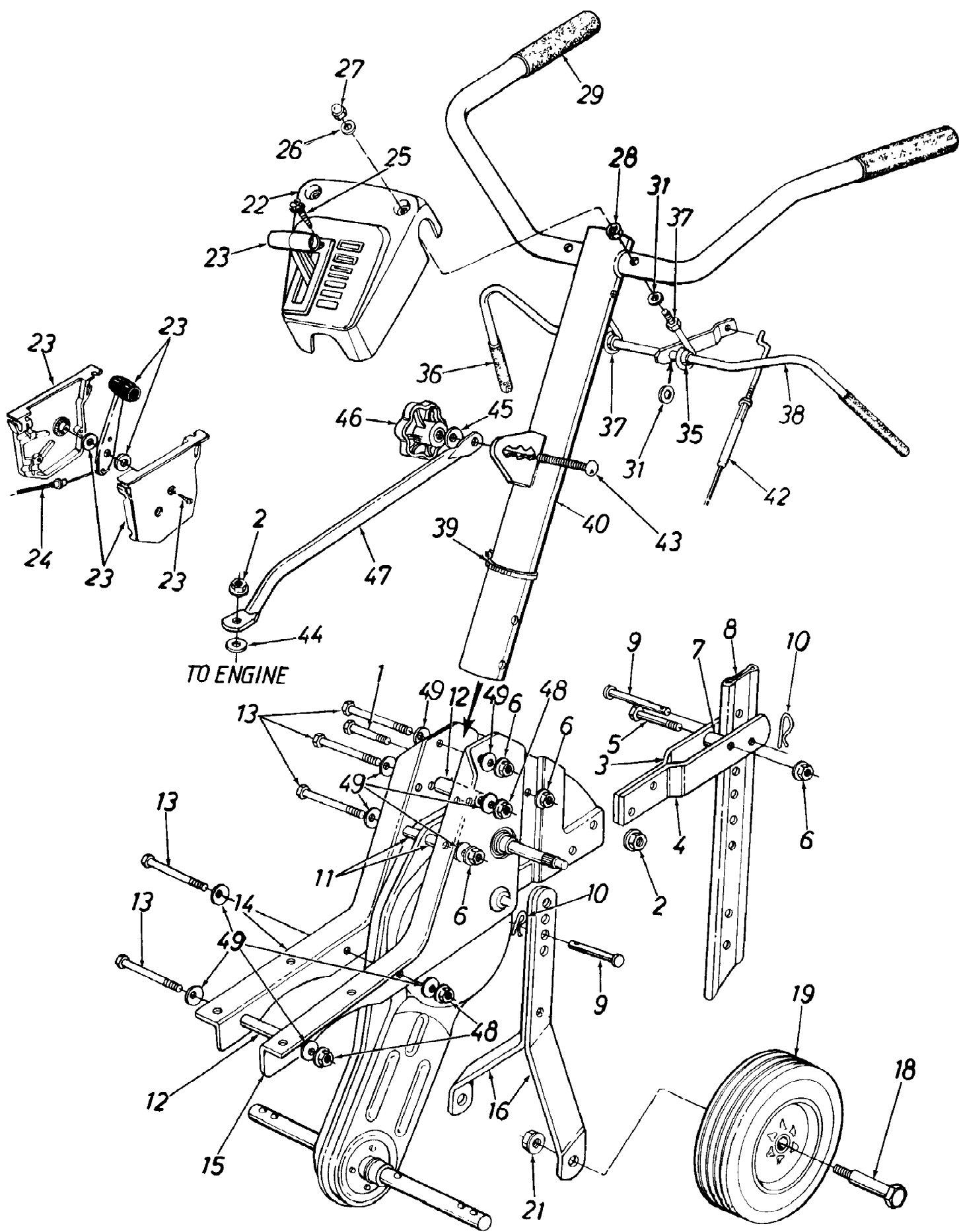


214-340-190 Roto Boss 500 (1994)
Engine, Tine & Chain Case Assemblies

Page 2 of 4

Ref #	Part Number	Qty	S/P/F	Description
1	786-0036	1	S	Belt Cover
2	736-3020	1	S	FI-Wash. .266" I.D. x .625" O.D.
3	710-0599	1	/P	Hex Wash. Hd. TT-Tap Scr. 1/4-20 x .5" Lg.
4	712-0392	1	/P	Hex L-Stop Nut 1/4-28 Thd.
5	712-3004A	1	/P	Hex Flange Top L-Nut 5/16-18 Thd. (Gr. 5)
6	786-0035	1	S	Tine Shield
7	710-0118	1	S/F	Hex Bolt 5/16-18 x .75" Lg.
8	711-0919	1		Belt Cover Bolt
10	736-0171	1	S	L-Wash. 7/16" I.D.
11	710-0380	1	S	Hex Bolt 5/16-18 x 1.75" Lg.
12	751-0360A	1	S	Casing Clamp
13	710-0899A	1	/P	Hex Sems Scr. #10-32 x .62" Lg.
14		1		Engine
15	736-0170	1	S	Spec. L-Nut 5/16" I.D.
16	711-0599	1	S	Clevis Pin .375" Dia. x 1.75" Lg.
17	714-0149B	1	S	Internal Cotter Pin
18	642-0005	1	S	Outer Tine Ass'y. - L.H.
	642-0004	1	S	Outer Tine Ass'y. - R.H. Not shown
19	642-0003	1	S	Inner Tine Ass'y. - L.H.
	642-0002	1	S	Inner Tine Ass'y. - R.H. Not shown
20	686-0009	1	S	Chain Case Ass'y. Comp. Available Only as Comp. Ass'y.
21	736-0119	1	S/F	L-Wash. 5/16" I.D.
22	710-0107	1	/P	Hex Bolt 5/16-24 x .5" Lg.
24	710-0191	1	/P	Hex Bolt 3/8-24 x 1.25" Lg.
26	756-0972	1		Outer Engine Pulley Half
27	756-0971	1		Inner Engine Pulley Half
28	756-0585	1		FI-Pulley 6" Dia.
30	754-0428	1	S	"V" - Belt
31	748-0350	1	S	Pulley Mounting Adapter
32	736-0112	1	/P	Bell - Wash..535" I.D. x 1.5" O.D.
33	712-3029	1	/P	Hex Jam Nut 1/2-20 Thd. (Gr. 5)
34	738-0102	1	S	Shld. Bolt .498" Dia. x 1.45" Lg.
35	786-0039	1	S	Belt Cover Brkt.
?38	756-0313	1	/P	FI-Idler 2.12" O.D.
39	710-0723	1	/P	Hex Cap Bolt 3/8-16 x 1.25" Lg.
40	712-0266	1	S	Hex Cent. Jam Nut 3/8-16 Thd.
41	750-0892	1	S	Spacer .64" I.D. x 2.4" Lg.
42	686-0011	1		Tine Idler Brkt. Ass'y.
43	756-0199	1	/P	FI-Idler 2" O.D.
44	710-0783	1		Hex Self - Tap Scr. #8-32 x .38" Lg.
45	751-0233	1	S	Muffler Deflector
46	746-0879	1		Clutch Control Cable
48	735-0639	1	/P	Spark Plug Boot Optional
50	736-0169	1	S/F	L-Wash. 3/8" I.D.
51	736-0258	1	/P	FI-Wash. 3/8" I.D. x 1" O.D.
52	786-0047	1		Engine Plate
53	786-0053	1	S	Tine Shield Support
54	712-0240	1	S	Hex Nut 7/16-20 Thd.
55	712-3010	1	S	Hex Nut 5/16-18 Thd.
56	736-0312	1		Bearing Retainer Washer



214-340-190 Roto Boss 500 (1994)
Handle & Frame

Page 4 of 4

Ref #	Part Number	Qty	S/P/F	Description
1	710-0874	1	/P	Hex Bolt 5/16-18 x 1.25" Lg.
2	712-3004A	1	/P	Hex Flange L-Nut 5/16-18 Thd. (Gr. 5)
3	786-0004	1	S	Tail Piece Brkt. (R.H.)
4	786-0003	1	S	Tail Piece Brkt. (L.H.)
5	710-0442	1	S	Hex Bolt 5/16-18 x 1.5" Lg.
6	712-3004A	1	/P	Hex Flange L-Nut 5/16-18 Thd. (Gr. 5)
7	750-0890	1		Spacer .32" I.D. x .75" O.D.
8	786-0005	1	S	Depth Bar
9	711-0599	1	S	Clevis Pin .375" I.D. x 1.75" Lg.
10	714-0149B	1	S	Internal Cotter Pin
11	750-0470	1		Spacer .326" I.D. x .47" O.D.
12	750-0885	1	S	Spacer.322" I.D. x .44" O.D.
13	710-0176	1	/P	Hex Bolt 5/16-18 x 2.75" Lg.
14	786-0028	1		Frame - R.H.
15	786-0029	1		Frame - L.H.
16	686-0025	1		Wheel Hanger Brkt. Ass'y. Code: N notates a new part (not previously existing).
18	738-0213	1	/P	Shld. Bolt .498" Dia. x 1.45" Lg.
19	734-1781	1	/P	Wheel Ass'y.
?20	710-3094	1	S	Hex Bolt 3/8-16 x 1" Lg. (Gr. 8)
21	712-3005	1	S	Hex Flange L-Nut 3/8-16 Thd. (Gr. 5)
22	731-1286	1		Handle Cover
23	831-0823A	1	/P	Throttle Control Box Ass'y
24	746-0891	1	S	Throttle Control Wire 30.5" Lg.
25	710-0779A	1	/P	Truss Mach AB-Tap Scr #10 x .5" Lg.
26	736-3020	1	S	FI-Wash .266" I.D. x .625" O.D.
27	712-0392	1	/P	Hex L-Stop Nut 1/4-28 Thd.
28	712-0138	1	S	Hex Nut 1/4-28 Thd.
29	720-0268	1		Grip - Handle
31	736-0140	1	S	FI-Wash. .385" I.D. x .62" O.D.
35	741-0475	1	S	Plastic Bushing .38" I.D.
36	720-0269	1		Grip - Clutch
37	747-0815	1		Clutch Handle Eye Bolt
38	686-0008	1		Clutch Handle Ass'y
39	726-0317	1		Cable Tie 9" Lg
40	649-0001	1	S	Longhorn Handle Ass'y.
42	746-0879	1		Clutch Control Cable
43	710-1236	1		Carr. Bolt 5/16-18 x 1" Lg. (Special)
44	736-0123	1	S	FI-Wash .344" I.D. x 1.12" O.D.
45	736-0242	1	/P	Bell-Wash .345" I.D. x .88" O.D.
46	720-0195	1		Hand Knob
47	749-0915	1		Engine Tubing Brace
48	712-0429	1	S	Hex L-Nut 5/16-18 Thd.
49	736-0242	1	/P	Bell-Wash .345" I.D. x .88" O.D.